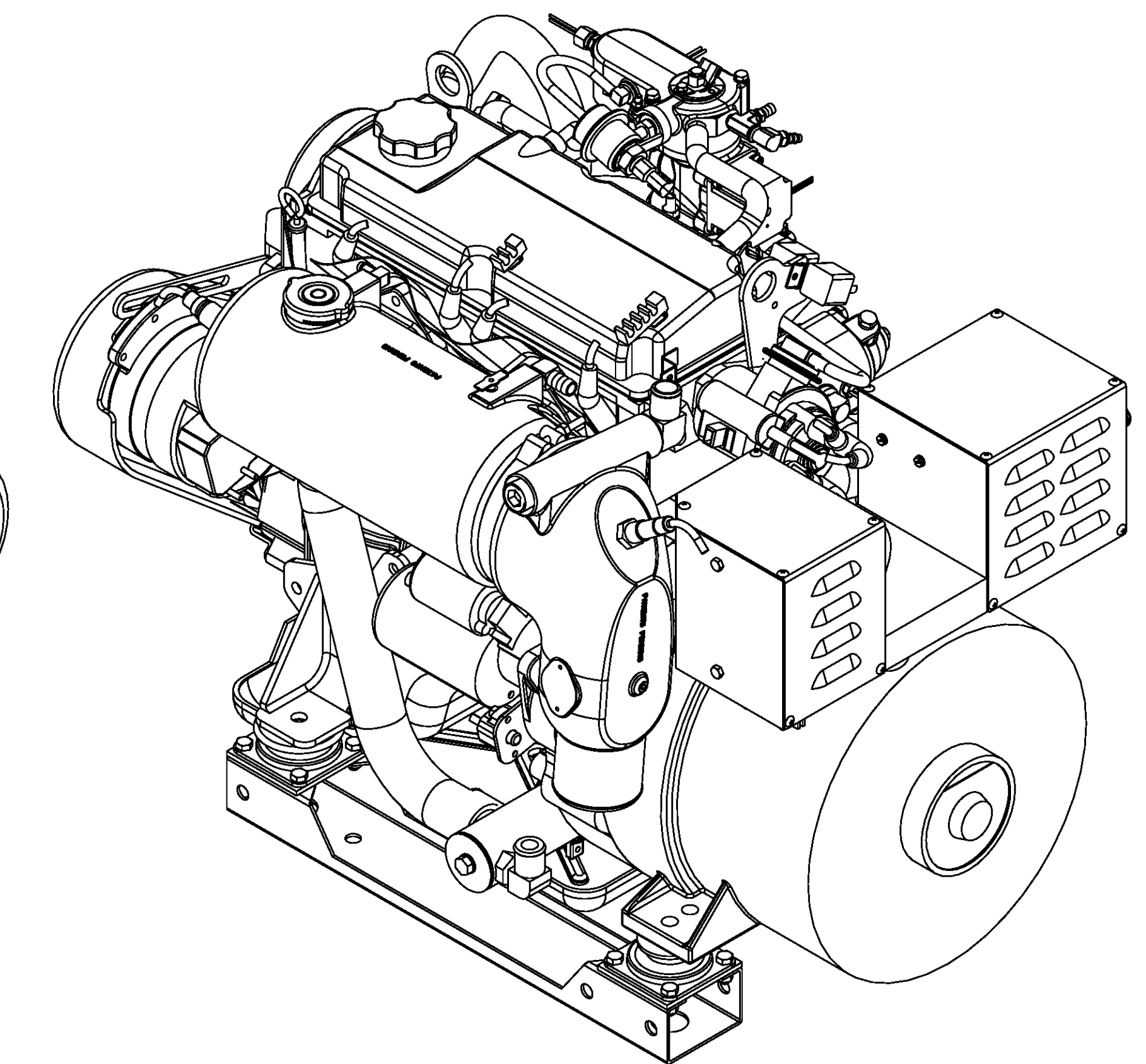
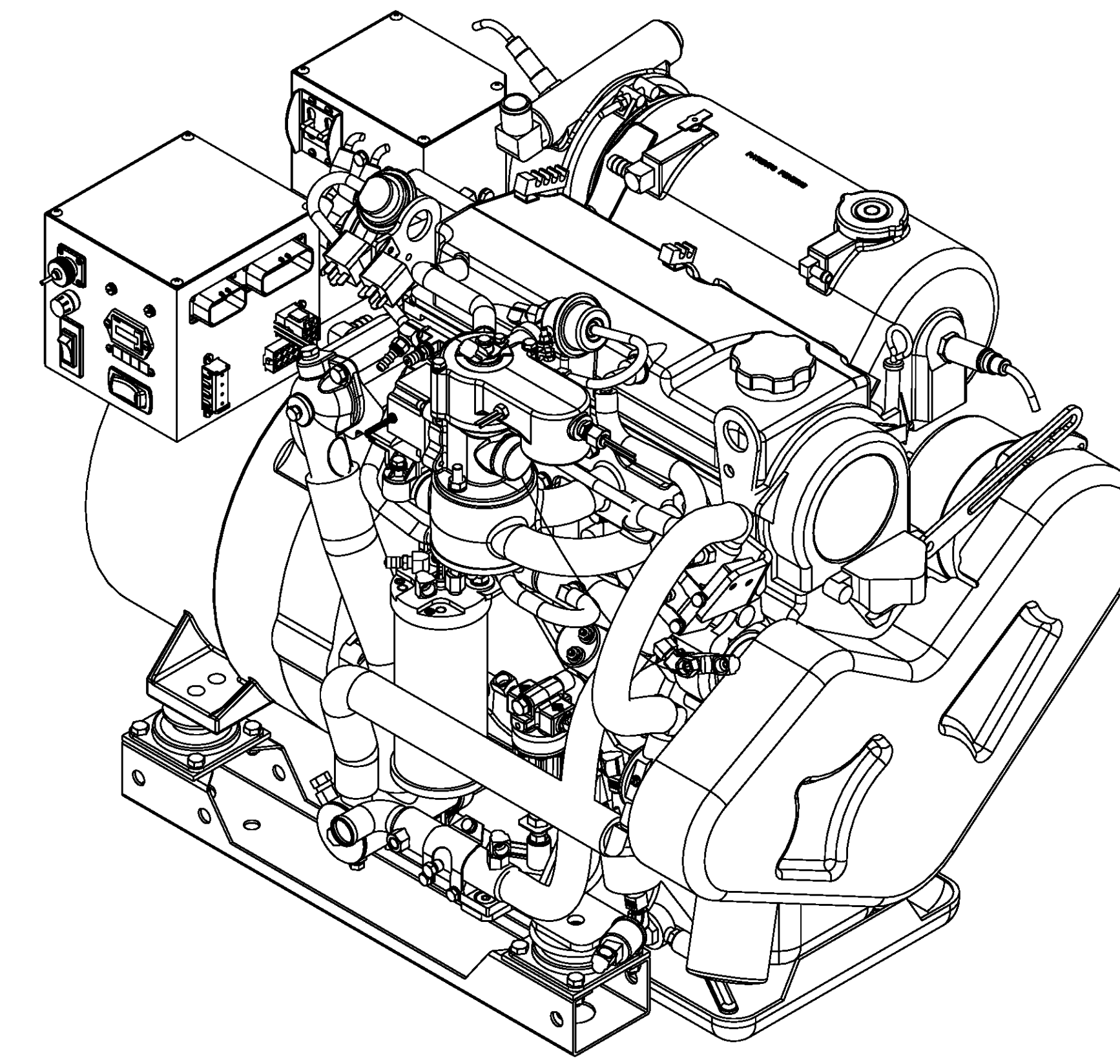
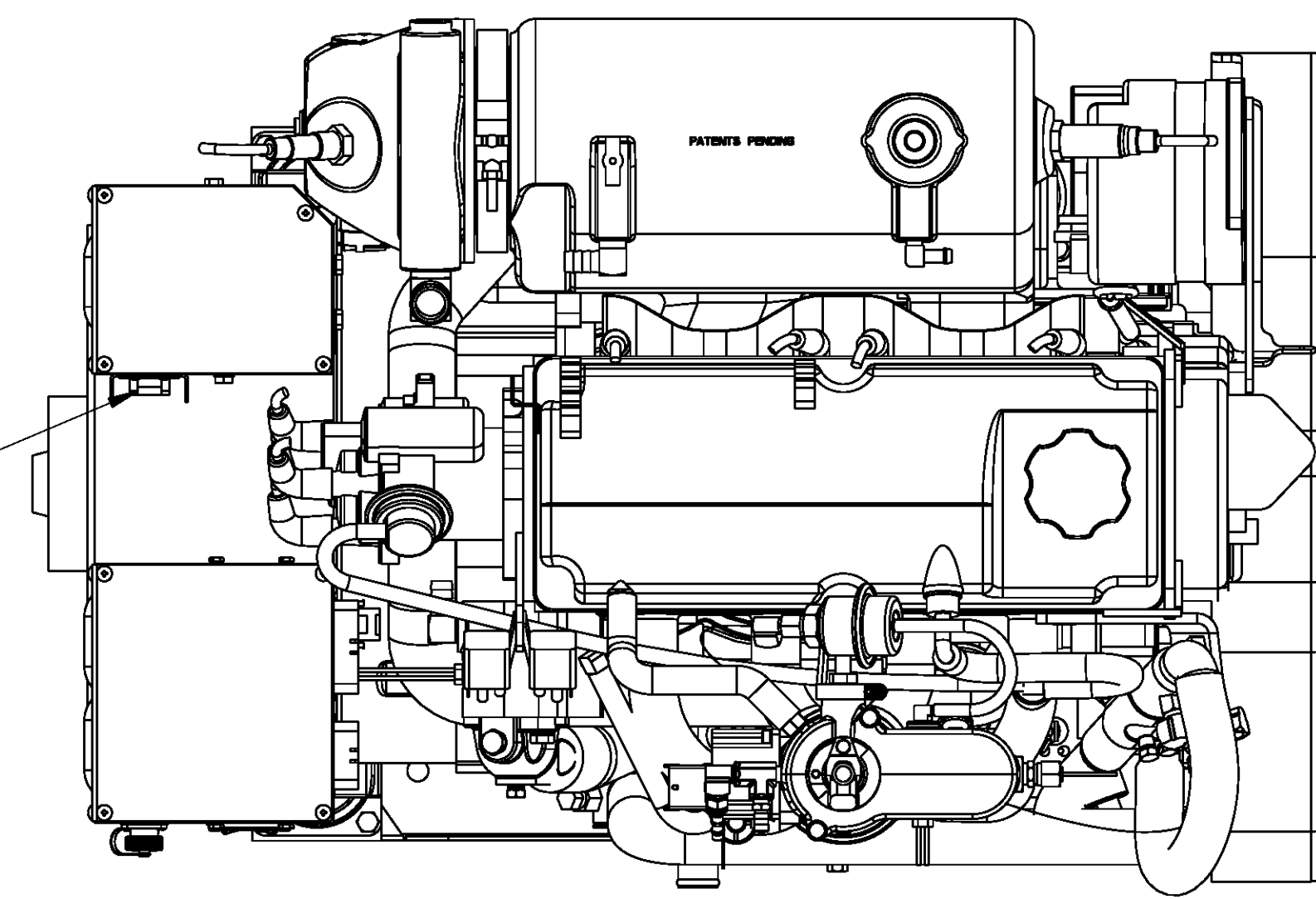
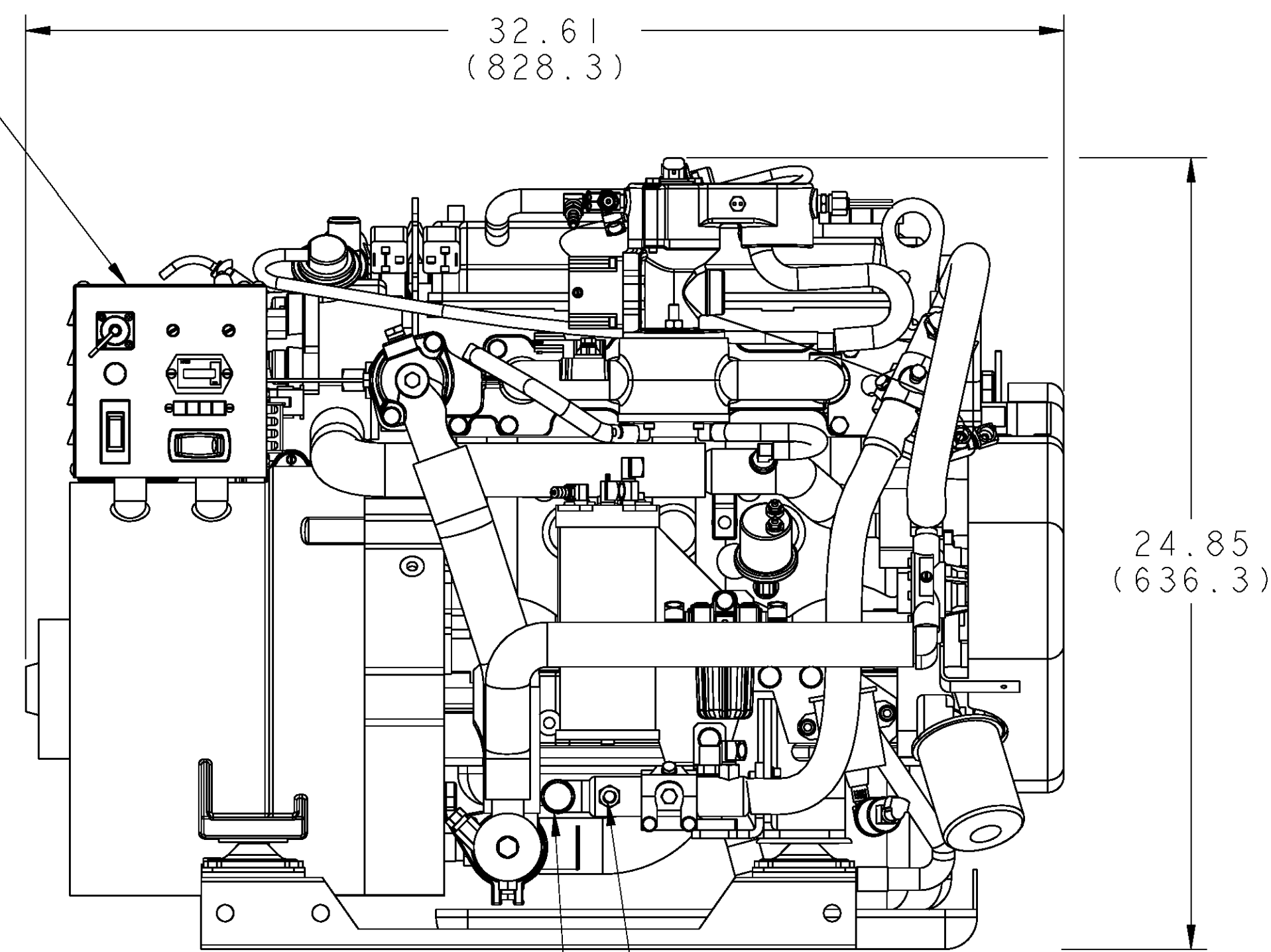
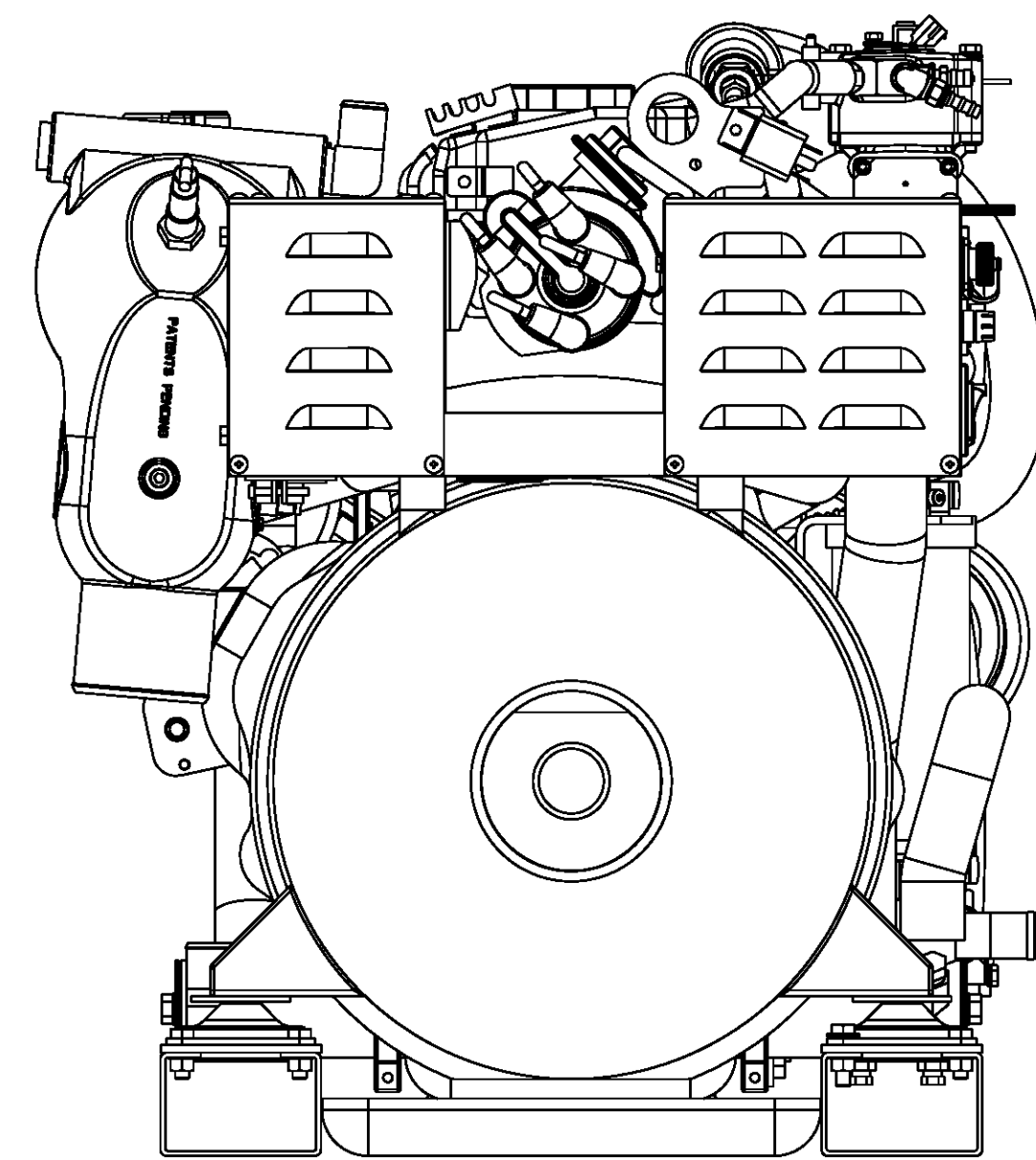


ECO NO.	DATE	REV.	REVISION RECORD		AUTH.	DR. BY
-	7-28 04	A	REVISED INTAKE AND THROTTLE BODY ASSEMBLY			WRM
6092	9-19 05	B	UPDATE INSTALLATION DRAWING WITH NEW FUEL CELL SYSTEM.			GA

AC OUTPUT CIRCUIT BREAKER

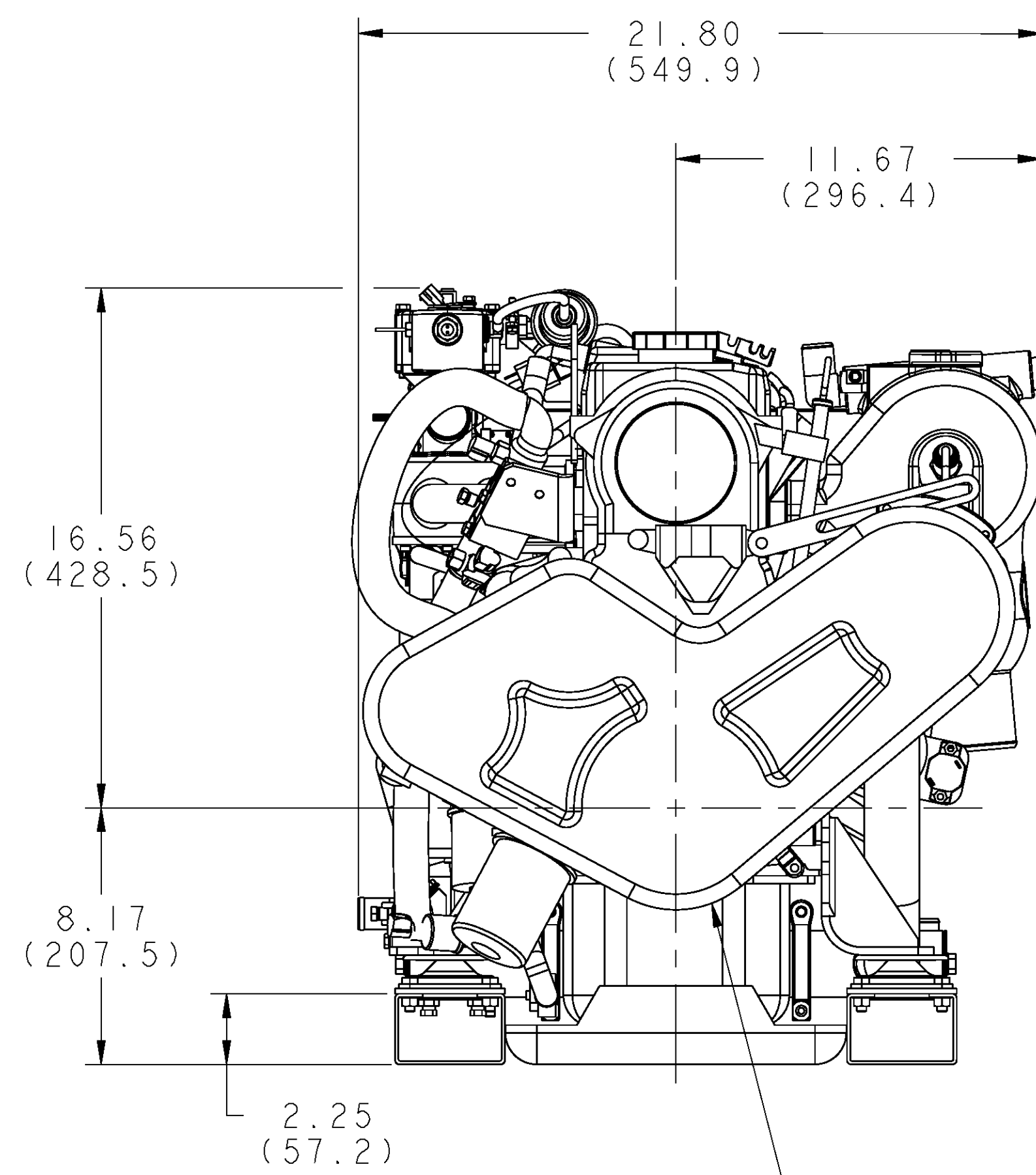


CONTROL PANEL

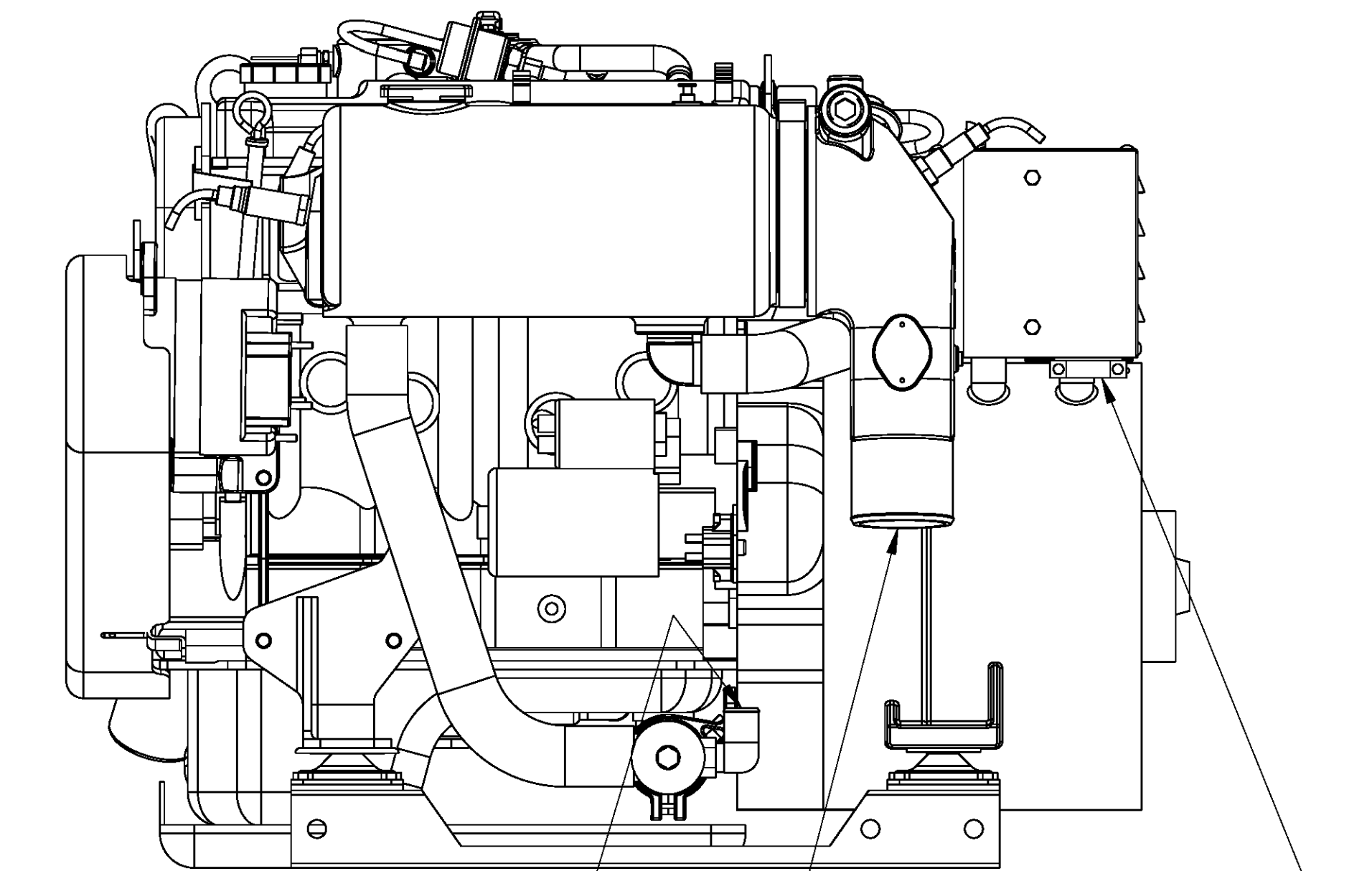


RAW WATER INLET
Ø1.00 I.D. HOSE

CUSTOMER FUEL CONNECTION
1/8-27 NPT - FEMALE



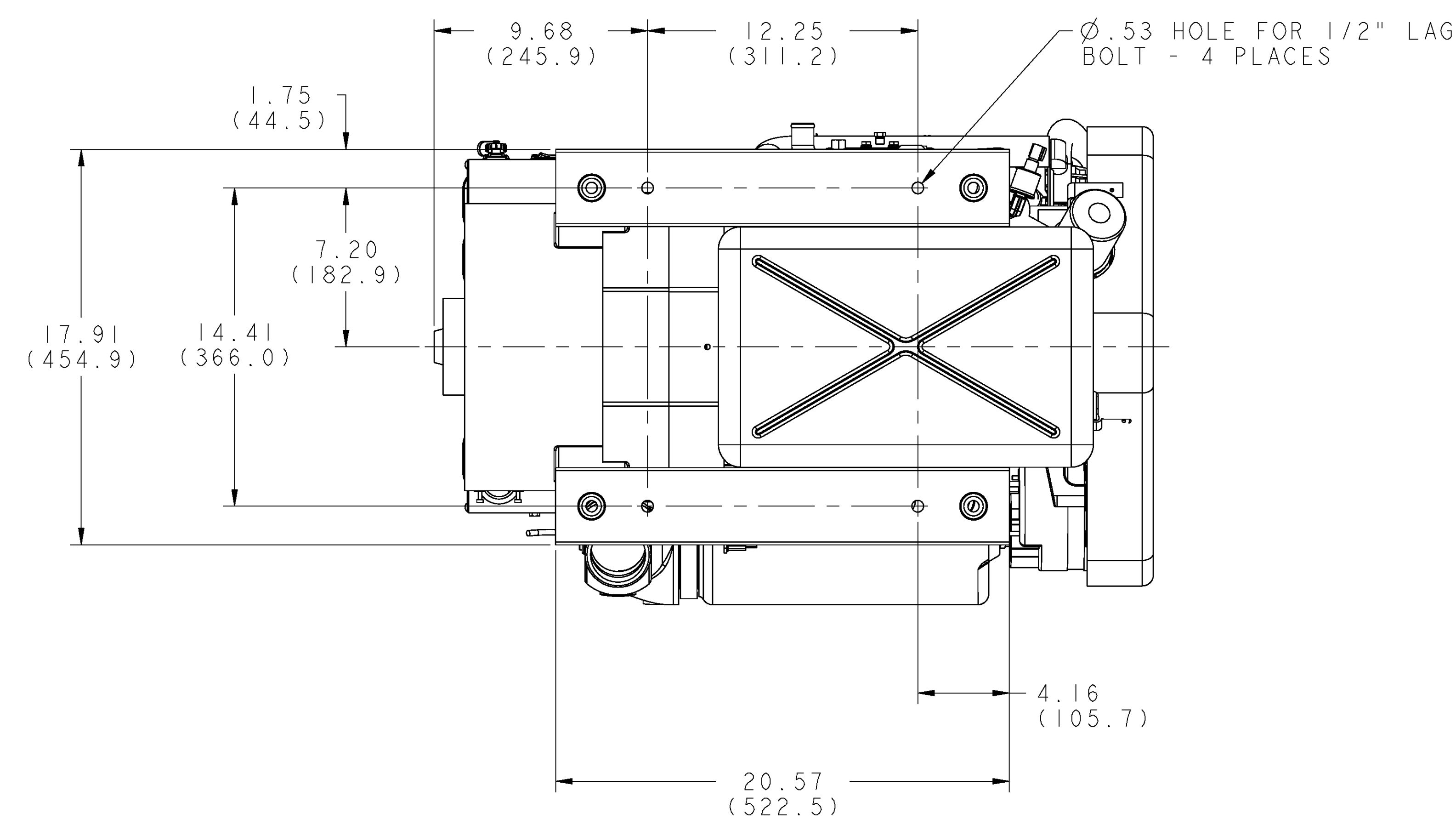
BELT GUARD



RAW WATER DISCHARGE
Ø1.00 I.D. HOSE

A.C. CONNECTION
WIRING OUTLET

EXHAUST OUTLET
Ø3.00 I.D. HOSE



Ø.53 HOLE FOR 1/2" LAG
BOLT - 4 PLACES

DIMENSIONS IN BRACKETS ARE IN MILLIMETERS

TOLERANCES (UNLESS OTHERWISE NOTED)		WESTERBEKE CORPORATION TAUNTON, MA. 02780	
INCHES	MILLIMETERS	TITLE	MATERIAL:
.XX ± .02	X ± 1.0	INSTALLATION DRAWING	---
.XX ± .005	X ± .13	8.0 KW SBEG	---
CAST			---
FINISH			---
DIMENSIONS		DRAWN BY	DATE
INCHES	DATE	WJM	04/Mar/04
MILLIMETERS	APPROVED BY		
(WHEN APPLICABLE)	SCALE 0.250	SIZE	DRAWING NUMBER
	SHT. 1 OF 1	E	49247
			REV. B